



**TT-One / TT-Two  
Deluxe**

TURNTABLE

**OWNER'S INFORMATION**



## **CONTENTS**

- 1) IMPORTANT SAFETY INFORMATION**
- 2) CE DECLARATION OF CONFORMITY  
DISPOSAL  
POWER REQUIREMENTS**
- 3) INTRODUCTION**
- 4) OVERVIEW**
- 5) UNPACKING AND INSTALLATION**
- 12) CONNECTION**
- 12) OPERATION**
- 14) WARRANTY INFORMATION**
- 15) CONTACT INFORMATION**

# **! IMPORTANT SAFETY INFORMATION !**

## **RISK OF SHOCK OR ELECTROCUTION! INTERNAL OPERATING VOLTAGES ARE LETHAL!**

Do not remove top cover, unless specifically instructed to do so in the user manual.

This unit contains fuses and other safety components in accordance with BS60065 requirements.

In the event of failure, replacement fuse or safety component must be of the same part type and value.

### **SUCH REPLACEMENT MUST ONLY BE CARRIED OUT BY A QUALIFIED SERVICE TECHNICIAN.**

Do not attempt to replace any fuses without first disconnecting the unit from the mains electricity supply.

This product must be earthed – ensure that the mains supply cable earth / ground is correctly connected.

This product generates high levels of heat. Adequate ventilation must be provided. Do not restrict airflow through any ventilation slots or place the unit on any surface that may restrict airflow.

Valve equipment operates at extremely high temperatures;  
**KEEP OUT OF THE REACH OF CHILDREN AND ANIMALS.**

Do not store or operate this unit in areas of high humidity or in close proximity to water / moisture.

Do not expose or immerse the unit in liquid of any kind.

### **OTHER SAFETY PRECAUTIONS: -**

Never touch the power cord with wet hands.

Always remove the power cord by grasping the plug, not the cable.

Never expose the unit to excessive heat or magnetism.

Never let an inexperienced person repair or reassemble the unit.

Never put anything, especially metal objects, inside the unit.

Never place excessive weight on the unit.

# CE DECLARATION OF CONFORMITY



We declare under our sole responsibility that this product is in conformity with the following standards or standardized documents:

BS EN 60065 in accordance with the regulations 73/23/EEC, 89/336/EEC (from 1 January 1997)

CE 94

Peter Qvortrup,  
Director  
Audio Note (UK) Limited  
Viscount House  
Star Road, Star Trading Estate  
Partridge Green  
West Sussex  
RH13 8RA  
United Kingdom

Tel: +44 (0)1273 830 800

Fax: +44 (0)1273 731 498



## DISPOSAL

This product must not be disposed of as normal household waste. To prevent possible harm to the environment please separate the product from other waste to ensure that it can be recycled in an environmentally safe manner. Please contact your retailer or the appropriate local government office for collection facilities.

## POWER REQUIREMENTS

Power requirements for electrical equipment vary depending on your geographical location. Please ensure that your unit meets the power requirements in your area. The power requirement for your unit is marked on the serial number plate, located on the rear panel.

If you are in doubt, please contact your dealer before connecting the unit to the mains supply.

## INTRODUCTION

Thank you for purchasing this Audio Note (UK) product. With the correct care it should give you many years of pleasure and enjoyment.

Please take the time to read all of the information in this manual before connecting your new component to an electrical supply or your system, to ensure both your safety and satisfaction.

Please note that due to our desire to continually improve products, specifications are subject to change without notice. Therefore it is important to refer to the manual that is supplied with your product for the most accurate information; manuals downloaded from our website or obtained from other sources may no longer fully apply to your product.

If you have any questions regarding the information contained within this document or your new component, please feel free to contact us: -

Audio Note (UK) Limited  
Viscount House  
Star Road, Star Trading Estate  
Partridge Green  
West Sussex  
RH13 8RA  
United Kingdom

Tel: +44 (0)1273 830 800  
Fax: +44 (0)1273 731 498  
e-mail: [info@audionote.co.uk](mailto:info@audionote.co.uk)



## TT-ONE / TT-TWO DELUXE

Congratulations on your purchase of the Audio Note (UK) DELUXE turntable.

It is a three point suspended design, using steel coil springs in extension (rather than the more common compression) to isolate the dynamically centered subchassis. This system isolates the sensitive platter, tonearm and cartridge – and the vinyl record itself – from exterior vibrations.

The plinth is made from selected void-free Finnish birch ply, the same material we use for all of our classic line of loudspeaker cabinets. In fact, the plinth of your Deluxe TT has been hand made in the same Austrian factory as our loudspeakers, and by the same skilled artisans.

The internal power supply is equipped with Audio Note (UK) custom copper foil capacitors, the same as are used in our amplifiers and preamplifiers. These components have a surprising and audible effect on the sound quality of the turntable, and this is why we chose to use them for the Deluxe TT.

It is also possible to use your Deluxe TT with the 'Deluxe PSU', which is a dedicated external power supply (sold separately) designed specifically for our TT-One and TT-Two Deluxe turntables. Please consult your authorized Audio Note (UK) dealer for further information.

Your Deluxe TT is intended primarily to be used with one of our own 9" tonearms (ARM-One/II, ARM-Two/II, ARM-Three/II). These are medium mass designs, and the suspension system is designed to partner with them perfectly. While it is possible to purchase armboards for other manufacturers' tonearms (your authorised Audio Note (UK) dealer or distributor will be able to provide you with further information) the turntable's suspension system will not perform optimally with higher mass tonearms.

## UNPACKING AND INSTALLATION

Please take care when unpacking your Deluxe TT. Choose a clean, clear location to unpack your unit. Be aware that the turntable is surprisingly heavy; before attempting to unpack or lift the unit, check the weight and if necessary use more than one person so that it can be moved safely and easily.

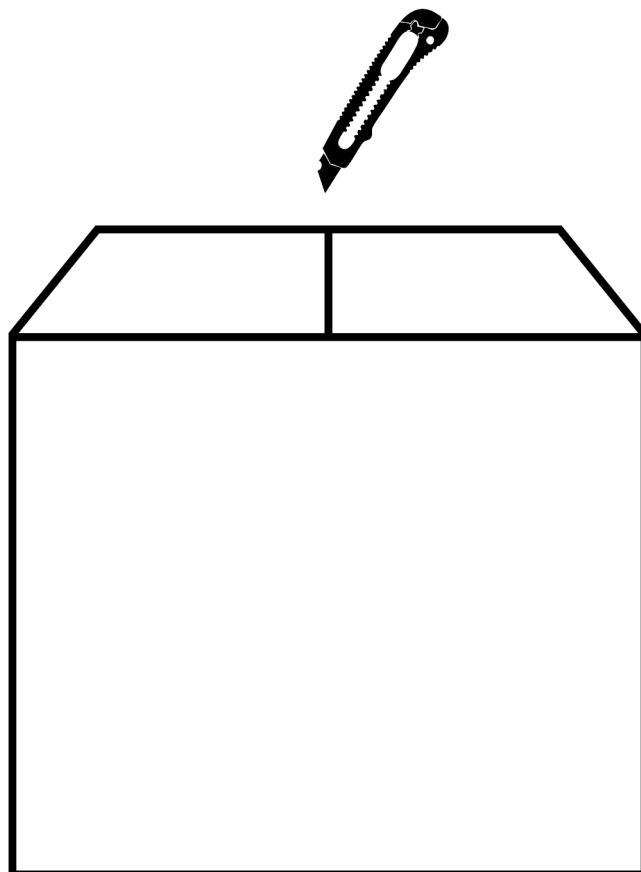
We recommend that you retain and carefully store all of the original packing materials, in case transportation / shipping is required at a later date.

Select a suitable location for the unit. This should be a dry, dust free and level area, preferably shielded from direct sunlight and free from vibration. Also ensure that the location is stable and capable of carrying the weight of the unit.

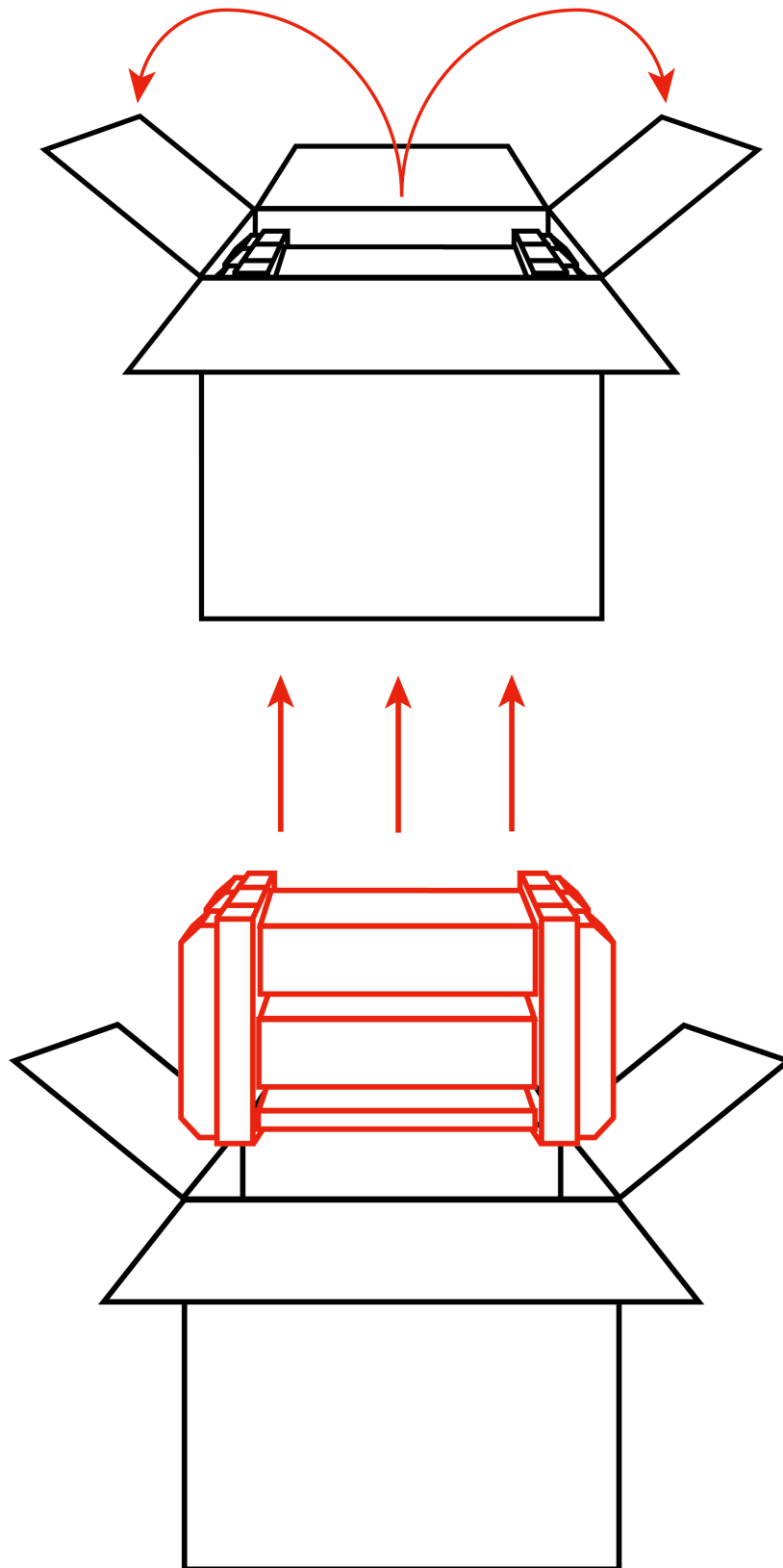
Choose a location that is not too close to or directly in front of the loudspeakers, as this can cause high levels of acoustic feedback.

A suitable mains power outlet must be close to the location; power cords must not be pulled or stretched tightly in an attempt to reach a wall socket. If the power cord will not easily reach the socket, choose a closer location!

Follow the illustrated unpacking instructions below: -

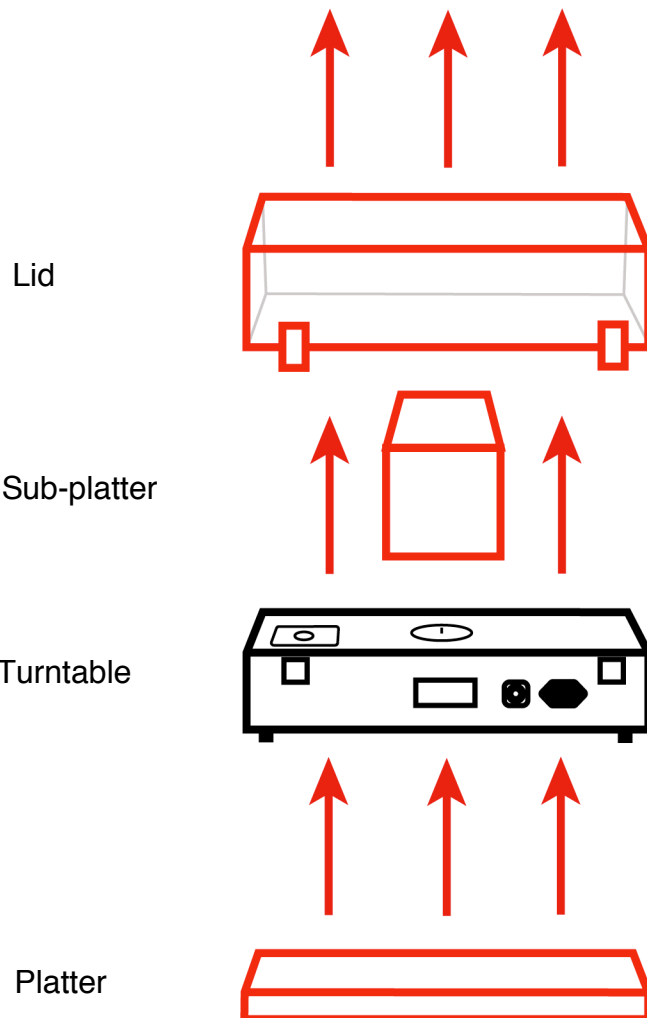
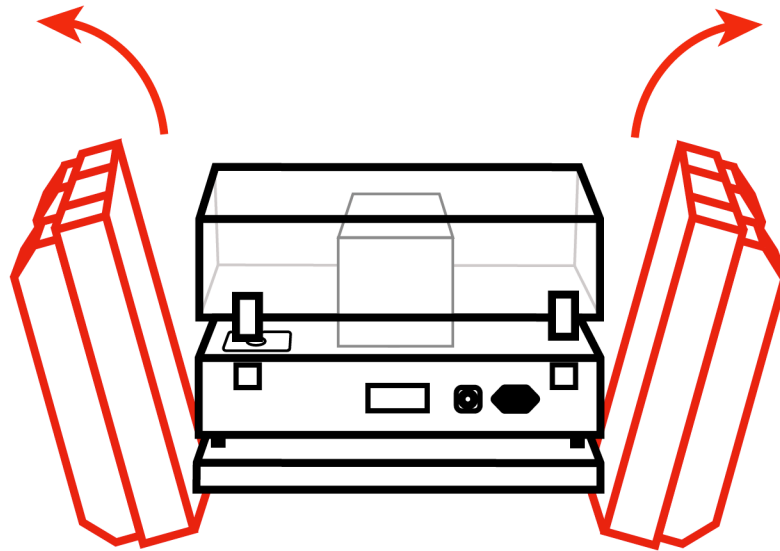


**UNPACKING AND INSTALLATION continued...**





# UNPACKING AND INSTALLATION continued...



## UNPACKING AND INSTALLATION continued...

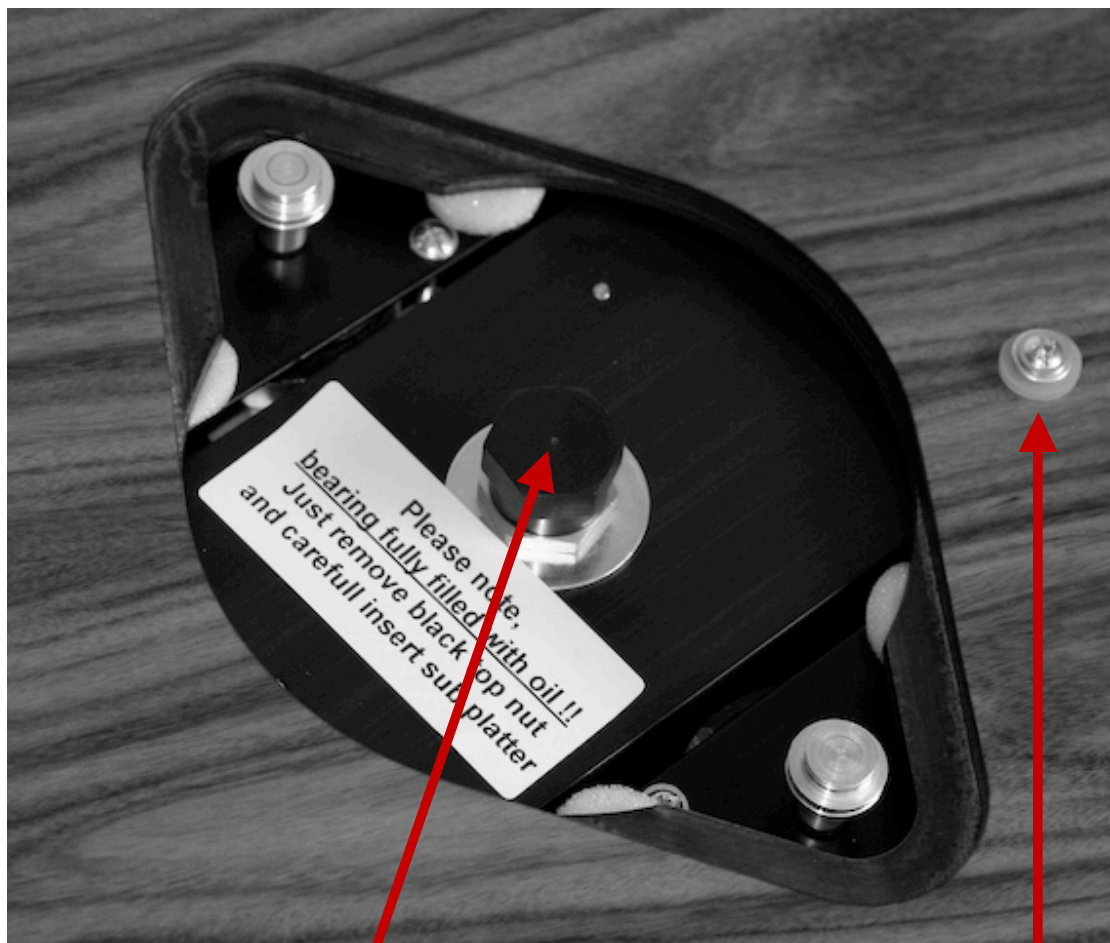
Once the main unpacking procedure, described above, has been completed, assembly of the turntable can begin. Set the lid and platter to one side, and place the turntable on a suitably level, stable, and vibration free surface.

Before installing the sub-platter and platter, it is advisable to perform the initial tonearm installation. Remove the three securing bolts that hold the armboard in place and remove it to make installing the tonearm easier. Refer to the instructions provide with your chosen tonearm. Once this has been completed and the tonearm and armboard are reinstalled on the turntable, locate the following items: -

Sub platter box (this was packed between the lid and turntable)

Belt (usually packed with the manual etc)

In the centre of the turntable, you will see an aperture, exposing the sub-chassis, the main bearing and the motor pulley(s): -



MAIN BEARING

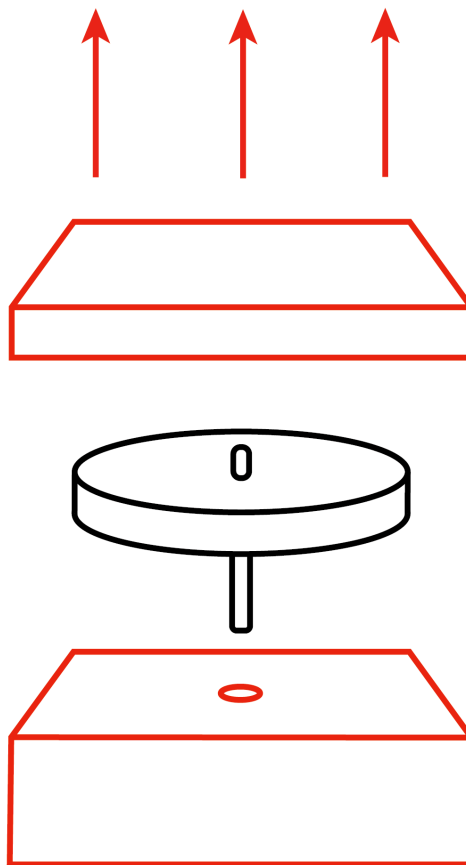
TRANSIT BOLT

## UNPACKING AND INSTALLATION continued...

As is stated on the label, the bearing has already been fully charged with oil, so no extra oil needs to be added.

*(The additional syringe of oil supplied with the turntable is for occasional re-lubrication purposes. Only 2 – 3 drops of oil are required to charge the bearing).*

Remove the sub platter from its packaging: -



***Check that the main shaft of the sub-platter is clean and free from dust etc.***

Remove the black plug from the top of the main bearing, and lower the shaft of the sub-platter into the bearing well. It will slowly settle into place; you do not need to push the sub-platter down into the bearing.

## UNPACKING AND INSTALLATION continued...

Remove the transit screw that is located to the right of the bearing / motor aperture (shown above). This releases the suspension.

Install the belt; place it around the sub-platter and then the motor pulley(s). You will notice that there are two grooves on the pulley(s); the top / smaller diameter groove is for 33rpm, the lower / wider groove is for 45rpm. As the Deluxe TT is a manual speed change design, the platter must be removed and the belt position changed if 45rpm playback is required. Initially, install the belt on the smaller / higher 33rpm pulley(s).

**The TT-Two Deluxe has TWO motors. The belt must be installed around BOTH motor pulleys, on the SAME groove.**

Remove the platter from its packaging. You will notice that the platter has a shallow and smaller depression cut into one side and a deeper and wider depression cut into the other side.

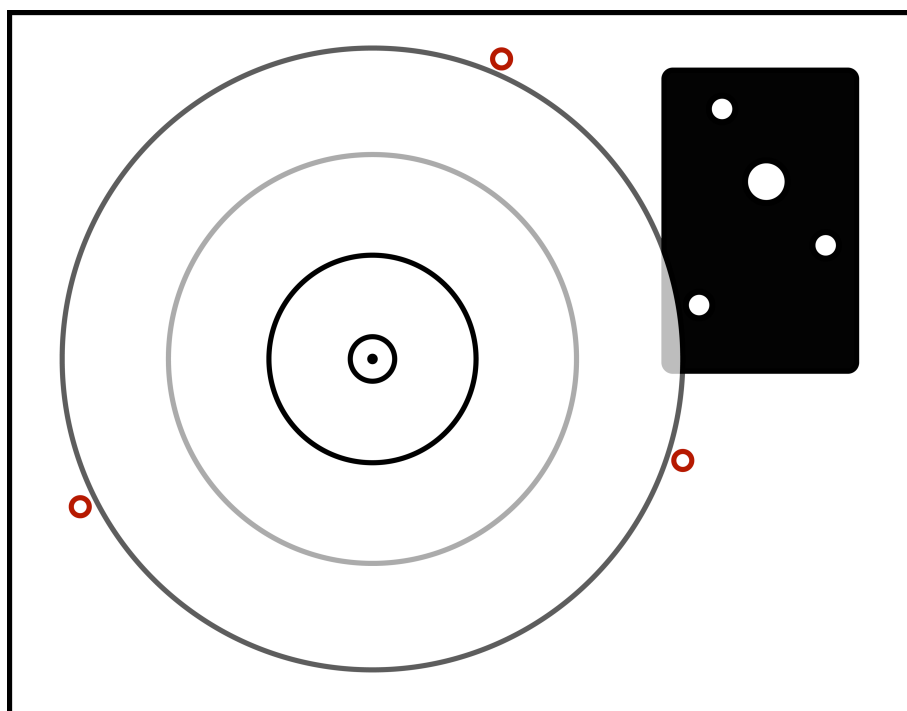
***The platter can only be installed one way; make sure that the larger depression in the platter is on the underside, facing downwards.***

Place the platter on the sub-platter, locating the centre spindle in the sub platter in the hole in the centre of the platter.

You will now see the suspension begin to move; with the arm and platter installed, the suspension is now correctly loaded.

Leveling the suspension; first make sure once again that the surface the turntable is positioned on is level, flat and free from vibration.

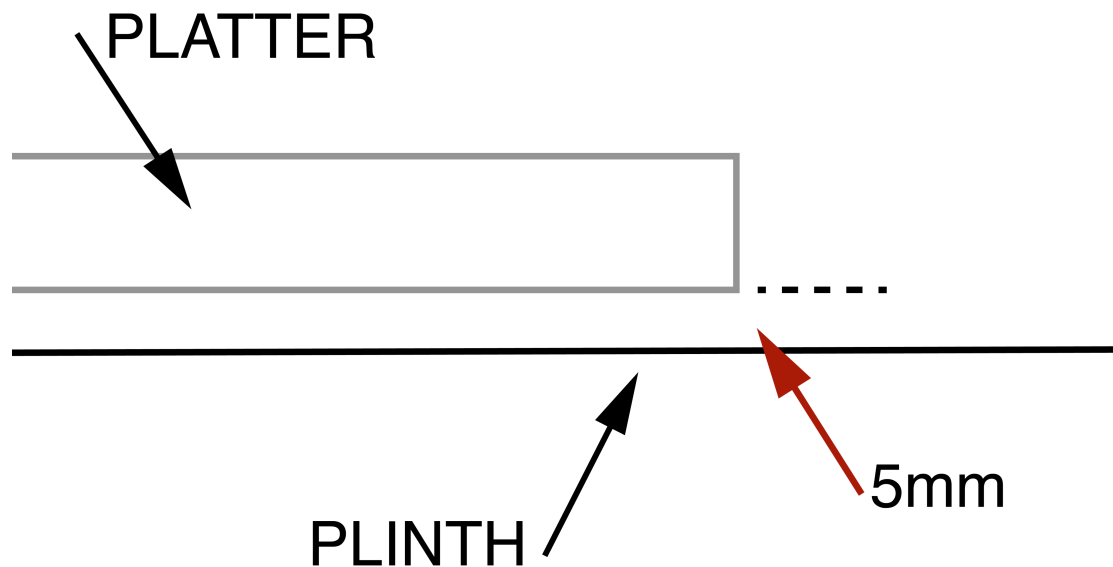
Locate the three suspension leveling adjustment bolts (marked in RED below) that are located in the top of the plinth, around the outside edge of the installed platter: -



## UNPACKING AND INSTALLATION continued...

Using the supplied 4mm Allen key, adjust each bolt so that the underside of the platter sits 5mm above the surface of the plinth. Turn the bolts clockwise to raise the platter / increase the gap between platter and plinth, and anti-clockwise to lower the platter / reduce the gap between platter and plinth.

When the distance between the underside of the platter and the surface of the plinth measures 5mm at all three adjustment bolt points, the suspension is correctly leveled.



**You may now install the cartridge and perform the final tonearm adjustments.**

## CONNECTION

**Tonearm** Connect the tonearm cables and earth wire to your amplifier / preamplifier's 'Phono' input, or to the input on your Step Up Transformer if you are using one. The tonearm earth cable should be connected to the earth / ground post on your amplifier / preamplifier.

**Mains** The Deluxe TT is equipped with an IEC 320 mains inlet socket. Use the supplied mains cable to connect the unit to the local mains supply. The mains fuse is located in the fuse holder on the power supply circuit board, inside the plinth.

*Special Note – Make sure that all connections are tight and clean. For best results use good quality audio interconnects and mains cables. For best results and performance, we recommend our own Audio Note (UK) range of power, interconnects and loudspeaker cables. For further information, please consult your nearest Audio Note (UK) dealer, or alternatively please feel free to contact us directly.*

## OPERATION

Once all the connections are completed and checked, ensure that the volume control on your amplifier / preamplifier is at the minimum setting.

**Turn on any source components (CD player, DAC, Turntable, Phonostage etc) BEFORE turning on your amplifier / preamplifier; the amplifier should be the LAST item to be turned on when you are ready to listen to your system, and the FIRST item to be turned off when the listening session is over.**

Turn on the Deluxe TT by using the rocker switch located above the mains input socket, at the left hand side of the back of the plinth.

To change speed, remove the platter and position the belt in the appropriate groove on the pulley(s).

For 33rpm, position the belt on the higher, smaller diameter groove(s).

For 45rpm, position the belt on the lower, larger diameter groove(s).

***For the TT-Two Deluxe, it is essential that the belt be positioned on THE SAME DIAMETER groove on both motor pullets.***

## **OPERATION continued...**

### **Bedding in**

Your new turntable requires roughly 100 hours of initial use (called “bedding in”) before optimum performance is realized.

### **Cleaning**

No special maintenance is required for the Deluxe TT. Use a soft, clean lint free cloth to remove any surface marks from the plinth, platter and lid. For finger marks / grease, use a soft, clean lint free cloth, lightly moistened with a solution of warm water and mild detergent. Do not use any alcohol or solvent based cleaning products, as they may damage the finish of the turntable.

**ENSURE THAT THE TURNTABLE IS SWITCHED OFF AND DISCONNECTED FROM THE MAINS ELECTRICITY SUPPLY BEFORE UNDERTAKING ANY CLEANING.**

# WARRANTY INFORMATION

Audio Note (UK) warrants this product to be free from defects in materials and workmanship for two years from the original date of purchase from an appointed Audio Note (UK) dealer, and agrees to covers the cost of parts and associated labour required to correct such defects, subject to terms & conditions.

This Warranty is offered to the first purchaser only.

Any valves supplied with the unit are warranted for three months from the original date of purchase.

If the product fails in normal domestic use and during the Warranty period due to the above described faults or defects, Audio Note (UK) will, at its discretion, repair or replace the item free of charge within a reasonable time once it has been returned to Audio Note (UK) or an appointed Audio Note (UK) dealer or service engineer.

Audio Note (UK) is not liable for any shipping charges incurred whilst transporting the product to or from Audio Note (UK) or an appointed Audio Note (UK) dealer or service engineer, should the item require service or repair during or after the Warranty period.

If the product must be shipped, please use the original packaging materials and include a copy of the original sales receipt along with a note explaining, in as much detail as possible, the problems you are experiencing with the unit.

**Only use a reputable Courier Service or Shipping Agent, and ensure that your product is insured during transit.**

**Any servicing, repairs or modifications not authorized by Audio Note (UK), or carried out by persons other than appointed Audio Note (UK) service engineers will invalidate any warranty.**

This Warranty does NOT cover: -

Damage sustained whilst in the possession of a shipping agent, retailer or consumer and not caused as a direct result of defects in materials or workmanship.

Damage caused by normal wear and tear.

Damage or defects caused by abnormal or unreasonable use.

Damage caused by accident, acts of nature, misuse or neglect.

Damage caused by a failure to follow the operating and installation instructions supplied with the product.

Damage caused by improper or careless cleaning.

Audio Note (UK) reserves the right to refuse warranty for any component of which the serial number has been removed, defaced or tampered with.



## CONTACT INFORMATION

If in the future your Audio Note (UK) product requires servicing, or if you require technical support or have any questions regarding this or any of our other products, please contact your local Audio Note (UK) dealer.

Alternatively, please feel free to contact us directly: -

Audio Note (UK) Limited  
Viscount House  
Star Road, Star Trading Estate  
Partridge Green  
West Sussex  
RH13 8RA  
United Kingdom

Tel: +44 (0)1273 830 800  
Fax: +44 (0)1273 731 498  
e-mail: [info@audionote.co.uk](mailto:info@audionote.co.uk)

[www.audionote.co.uk](http://www.audionote.co.uk)

 Audio Note (UK) Ltd

